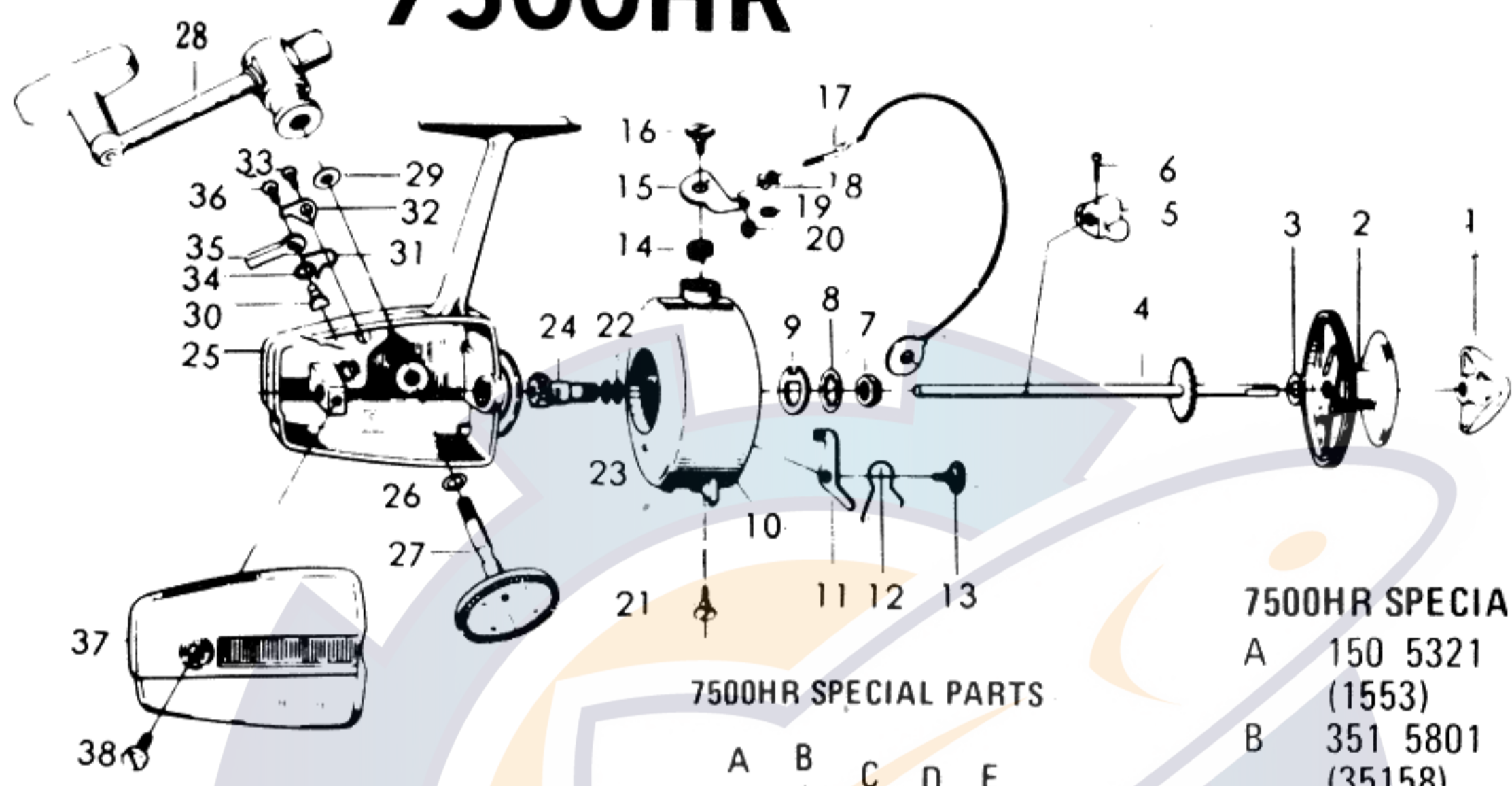
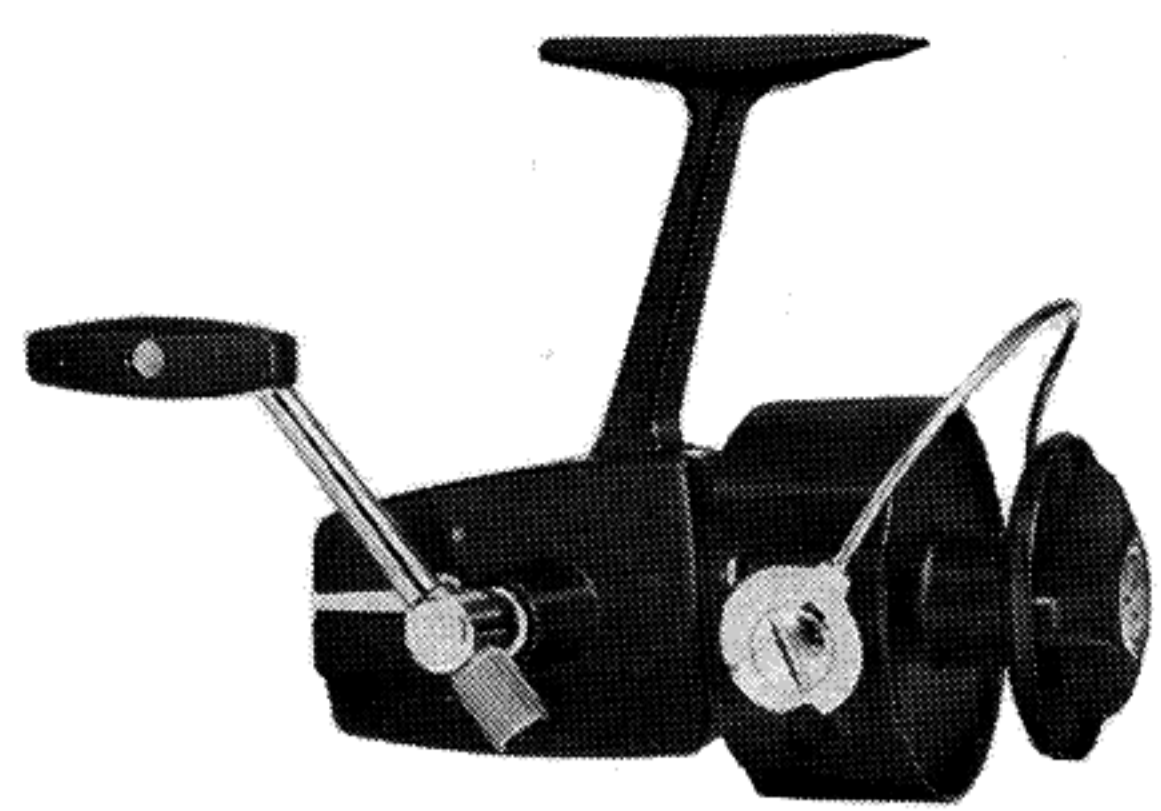




SPINNING REEL 7500R 7500HR



7500HR SPECIAL PARTS

- A 150 5321 Cushion spring (1553)
- B 351 5801 Brake retaining screw (35158)
- C 500 2131 Pinion gear collar (5021)
- D 340 7721 Ball bearing ret. nut (3477)
- E 631 0041 Ball bearing (63100)

LINE CAPACITY : 220 YDS., 12 LB. TEST

Key No	Parts No.	Parts Name	Key No.	Parts No.	Parts Name	Key No.	Parts No.	Parts Name
1	005 1801 (A00518)	Drag knob	16	361 6401 (36164)	Arm lever screw	30	460 1941 (4619)	Anti-reverse cam
2	000 7041 (A0070)	Spool assembly	17	002 9121 (A00291)	Bail	31	140 9431 (1494)	Anti-reverse claw spring
3	371 2731 (17127)	Spool washer	18	250 1011 (2510)	Line roller	32	110 1711 (1117)	Anti-reverse claw
4	004 3331 (A00433)	Main shaft	19	372 8901 (37289)	Roller washer	33	351 2551 (35125)	Anti-reverse claw screw
5	480 3231 (4832)	Oscillating slider	20	340 2011 (3420)	Bail nut	34	150 1741 (1517b-2)	Anti-reverse lever spring washer
6	490 2421 (4924)	Oscillating slider pin	21	361 6501 (36165)	Bail holder screw	35	540 1911 (5419)	Anti-reverse lever
7	340 5841 (3458)	Rotor nut	22	371 3801 (37138)	Rotor washer	36	350 1931 (3519)	Anti-reverse lever screw
8	160 1611 (1616)	Rotor washer	23	371 2823 (37128)	Pinion washer	37	060 6511 (0665)	Body cover
9	371 3101 (37131)	Rotor retaining washer	24	400 5521 (4055)	Pinion	38	360 6911 (3669)	Body cover screw
10	005 3931 (A00539)	Rotor	25	005 3701 (A00537)	Body	(19, 22, 23 7500R only)		
11	570 2941 (5729)	Bail kick lever	26	370 0352 (3703b-3)	Drive gear washer	For 7500HR only		
12	140 6231 (1462b 1)	Bail kick lever spring	27	410 9121 (4191)	Drive gear	20	340 8201 (3482)	Bail nut
13	361 1511 (36115)	Bail kick lever screw	28	000 9711 (A0097)	Handle	25	190 9003 (1990)	Body
14	141 2701 (14127)	Bail spring	29	371 3011 (37130)	Handle washer	27	410 9731 (4197)	Drive gear
15	230 2051 (2320)	Arm lever				32	110 3401 (1134)	Anti-reverse claw